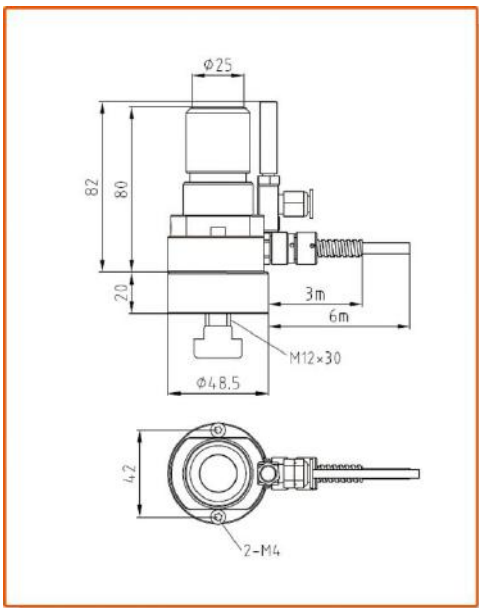


Composition of tool setter

TTC100 cable tool setter consists of a hardware and the software. The model of the software is SP-T10; the hardware also has two accessories:

- 1) 20 mm thick mounting base;
- 2) Blow- cleaning device (optional).



Technical Parameters

- ◆ The nominal height of the TTC100 tool setter is 80mm, it is 100mm when the 20 mm thick mounting base added;
- ◆ The diameter of the touching face(for cutting tool touching): 25.0 mm, the hardness of the touch face: HRA 90-93;
- ◆ Travel distance of the touch face in -Z direction: 5 mm;
- ◆ Trigger repeatability of the tool setter(2σ): $\leq 2 \mu\text{m}$;
- ◆ Parallelism between the touch face and the bottom face of the tool setter for mounting : $\leq 3 \mu\text{m}$;
- ◆ Input voltage is $24 \pm 10\%$ V DC and output load current is 50 mA.
- ◆ Seal grade: IP68.

Technical Characteristics

- ◆ Tool setter transmits signal through cable, reversal connecting tool setter's power supply can reverse the state of the output signal;
- ◆ There are two installing and fixing methods, one is to install directly, the other is to add a mounting base of 20mm thick, the tool setter's height can be raised from 80mm to 100mm.
- ◆ One LED indicator light is used to display the tool setter's working state.

Application

- ◆ Set lengths parameter of cutting tools automatically before CNC processing;
- ◆ Detect wear and breakage of cutting tools automatically between two processes or after the CNC processing;
- ◆ Through checking cutting tool parameters to control the change of machining precision from the temperature change of the machine;
- ◆ Applicable equipments: various specifications of machine centers, CNC milling machines, drilling-tapping machine centers, etc;
- ◆ Tool setter's cable: TTC100 tool setter is equipped with 6m long, four-core, anti-oil shielding , moving cable and with a 3m-long stainless steel protecting sleeve.

Notes for purchase

- ◆ As for the cable length, verify whether the cable length equipped is enough for installing the tool setter on your machine tool; If lengthening cable is needed, special instructions should be given when ordering the product;
- ◆ Verify whether you need blow-cleaning device or not, and whether there is a spare M code in the CNC system of your machine for controlling the blowing device.

